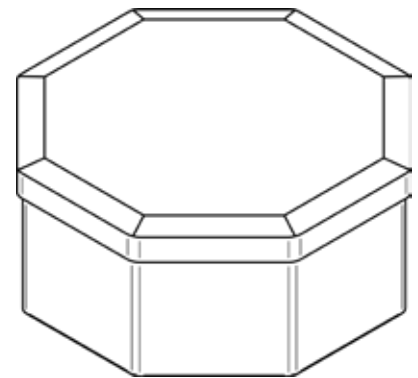




Updated: September 2019

OCTAGONAL TINS .



- Closing mechanism
- ST = slip lid
 - SCH = hinged lid
 - KSD = plastic lid with metal clip
 - PR = premium slip lid

- Lid type
- g = domed lid
 - f = flat lid
 - a = stepped lid for stacking
 - s = special lid shapes – ask about available shapes

- Curls
- IR = inward curl
 - AR = outward curl

- Legend
- | | |
|-----------------------------------|-----------------------------|
| ■ DE = lid | ■ SiDe = bead on lid |
| ■ RU = body | ■ SiRu = bead on body |
| ■ EDDe = plug lid | ■ SpDe = money slot in lid |
| ■ K = lid with knob | ■ SpRu = money slot in body |
| ■ SV = screw-on lid | ■ DR = sealing ring |
| ■ EAR = flush outward curl | ■ BF = end with feet |
| ■ UT = deep-drawn, one-piece base | ■ SPU = musical module |

- Product line
- EL = Exclusive Line
 - Available from quantities of just a few thousand
 - Embossing, debossing or relief work on the tin body and the lid
 - Bespoke formats
 - Inward curl on the tin body
 - PL = Perfect Line
 - For large-scale production
 - Outward curl on the tin body and the lid
 - Embossing on the lid possible

We offer a range of different closing mechanisms and lid types.
Please refer to the following list for specific combination options.

Updated: September 2019

Article number	Dimensions in mm		Volume in ml	Closing mechanism				Curls		Lid type	Other	Product line
	Length x width	Height		ST	SCH	KSD	PR	AR	IR			
17000	77 x 77	168	920	■					■	s		EL
17300	80 x 80	110	650	■				■		s		EL
15000	88 x 88	180	1140	■					■	g		EL
17500	89 x 69	88	470	■				■		a	SiRu	EL
16400	90 x 90	87	630	■				■		s		EL
16410	90 x 90	130	950	■				■		s		EL
17400	91 x 65	88	460	■				■		a		EL
100100054	100 x 100	54	480	■				■				PL
16500	112 x 107	185	2010		■				■	f	DR	EL
15320	113 x 113	30	320	■					■	g		EL
15310	113 x 113	59	610	■					■	g	SiRu	EL
15315	113 x 113	59	610	■					■	g		EL
15300	113 x 113	103	1080	■					■	g		EL
15330	113 x 113	103	1080	■					■	f		EL
15350	113 x 113	127	1330	■					■	g		EL
17910	120 x 103	90	1000	■					■	f		EL
17900	120 x 103	151	1700	■					■	f		EL
17930	120 x 103	151	1700	■					■	g		EL
17920	120 x 103	189	2140	■					■	g		EL
15810	123 x 123	147	1810	■					■	g		EL
15800	123 x 123	167	2070	■					■	g		EL
15610	130 x 130	79	1210	■					■	s		EL
15600	130 x 130	102	1530	■					■	s		EL
15130	140 x 140	65	1000	■					■	a		EL
15100	140 x 140	73	1150	■					■	a		EL
15120	140 x 140	102	1620	■					■	a		EL
15140	140 x 140	102	1620	■					■	f		EL
15110	140 x 140	110	1750	■					■	g		EL
15150	140 x 140	110	1750	■					■	a		EL
15900	145 x 145	116	2260	■					■	s		EL
15910	145 x 145	110	2140	■					■	s	K	EL
15920	145 x 145	163	3200	■					■	s	K	EL
24600	150 x 95	27	360		■			■		s		EL
24610	150 x 95	27	360		■			■		f		EL
02500	187 x 72	14	169		■			■		s		EL
46610	192 x 143	44	1000	■					■	f		EL
46620	192 x 143	54	1240	■					■	f		EL
46600	192 x 143	70	1620	■					■	f		EL
35000	193 x 82	100	1460	■					■	s	SiRu	EL